

# C.I.P.

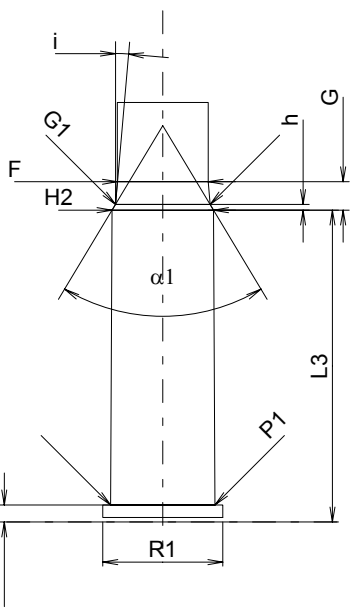
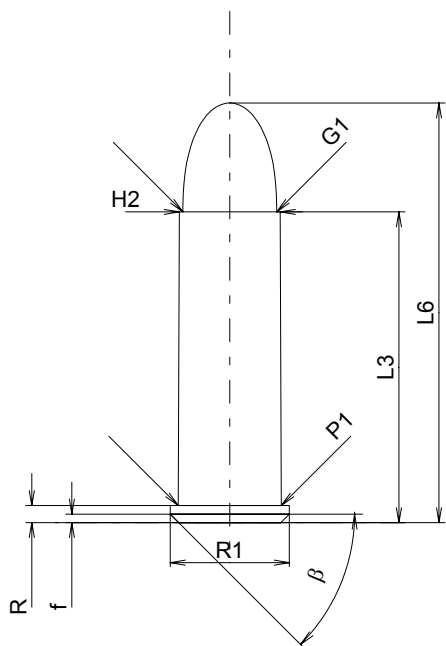
## 8 mm Lebel

Country of Origin: FR

TAB. IV

Date 84-06-14

Revision 00-06-07



Scale 1.5:1

### CARTRIDGE MAXI

#### Lengths

L1	=	
L2	=	
L3 <sup>1)</sup>	=	27.40
L4	=	32.00
L5	=	
L6	=	37.00

#### Case Head

R <sup>1)</sup>	=	1.50	-0.25
R1	=	10.50	
R3	=		
E	=		
E1	=		
e min	=		
delta	=		
f	=	0.75	
beta	=	45°	

#### Powder Chamber

P1	=	9.10
P2	=	

#### Junction Cone

alpha	=	
S	=	
r1 min	=	
r2	=	

#### Collar

H1	=	
H2 <sup>1)</sup>	=	8.90

#### Projectile

G1 <sup>1)</sup>	=	8.28
G2	=	
F	=	
L3+G <sup>1)</sup>	=	29.90

#### Pressures (Energies)

##### Method Transducer

Pmax	=	1250 bar
PK	=	1438 bar
PE	=	1625 bar
M	=	12.50

#### Miscellaneous Dimensions

Fe <sup>1)</sup>	=	0.25
delta L	=	

### CHAMBER MINI

#### Lengths

L1	=	
L2	=	
L3 <sup>1)</sup>	=	27.50

#### Breech

R <sup>1)</sup>	=	1.50
R1	=	10.60
R2	=	
R3	=	
r	=	

#### Powder Chamber

E	=	
P1 <sup>1)</sup>	=	9.20
P2	=	

#### Junction Cone

alpha	=	
S	=	
r1 max	=	
r2	=	

#### Collar

H1	=	
H2 <sup>1)</sup>	=	8.95

#### Commencement of Rifling

G1 <sup>1)*</sup>	=	8.35
G <sup>1)*</sup>	=	2.50
alpha1	=	62°
h*	=	0.50
s	=	
i <sup>1)</sup>	=	5°
w	=	

#### Barrel

F <sup>1)*</sup>	=	8.00
Z <sup>1)</sup>	=	8.30

#### Grooves

b	=	4.19
N	=	4
u	=	240.00
Q	=	52.91 mm <sup>2</sup>

Notes: 1) Check for safety reasons  
\* Basic dimensions

Dimensions in << mm >>  
Dimensions and Tolerances for Proof Barrels  
see Appendix CR 1.